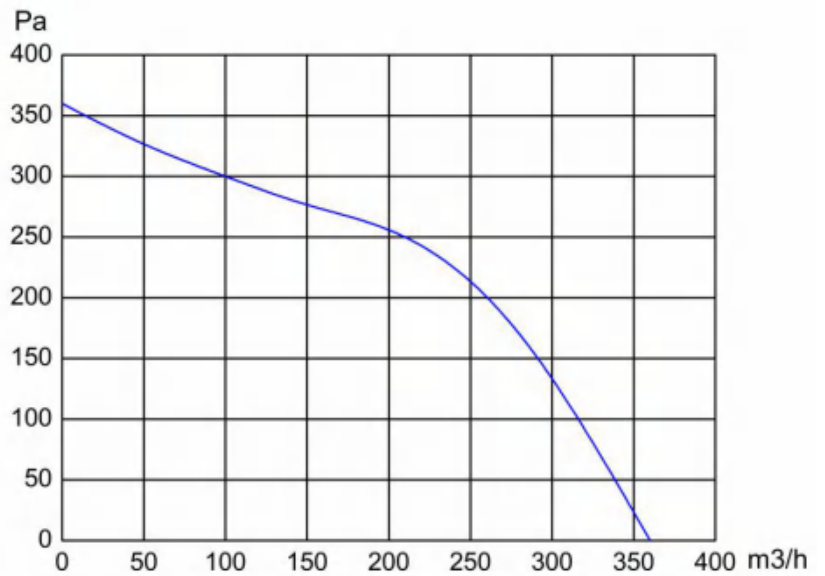


DC CENTRIFUGAL FAN

LWBD3G133-072


Motor Type : BLDC Motor

Impeller Material : Propylene with Glass-Fiber

Protection Class : IP44

Insulation Class : F

Certification : CE/ETL/CCC

Operation Temperature : - 25 °C ~ +60 °C

Bearing Type : Ball Bearing

Technical Feature :

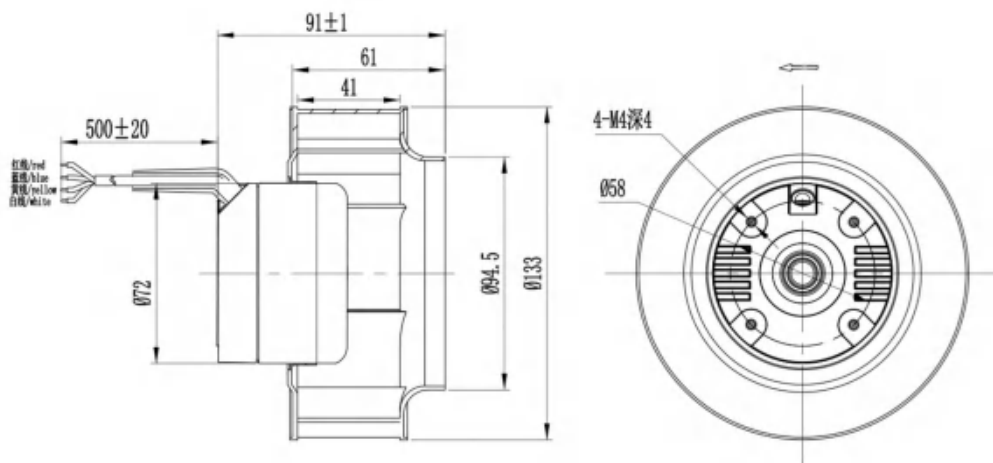
Control input 0~10VDC/PWM ,Tech output,Locked-Rotor protection ,

Reverse Polarity ,Over-voltage protection

Soft Start Protection,

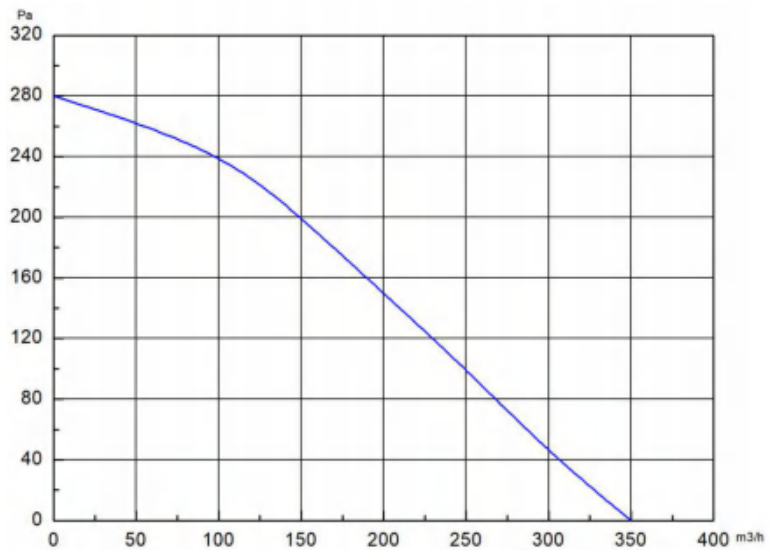
■ Technical Specification

Model	Bearing Type	Rated Voltage	Operating Voltage	Rated Current	Rated Power	Speed	Air Flow	Air Pressure	Noise
	B/S	V	V	A	W	RPM	m³/h	Pa	dBA
LWBD3G133-072NH-01	Ball	48	36~61	0.58	28	3900	360	360	63
LWBD3G133-072NM-01	Ball	24	16~28	1.15	28	3900	360	360	63



DC CENTRIFUGAL FAN

LWBD3G155-072


Motor Type : BLDC Motor

Impeller Material : Propylene with Glass-Fiber

Protection Class : IP44

Insulation Class : F

Certification : CE/ETL/CCC

Operation Temperature : - 25 °C ~ +60 °C

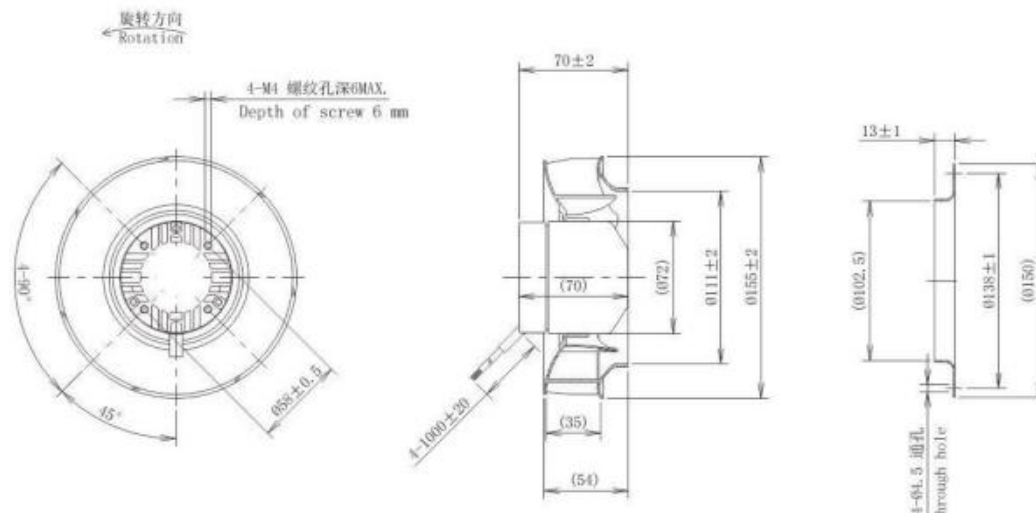
Bearing Type : Ball Bearing

Technical Feature :

 Control input 0~10VDC/PWM ,Tech output,Locked-Rotor protection ,
 Reverse Polarity ,Over-voltage protection
 Soft Start Protection,

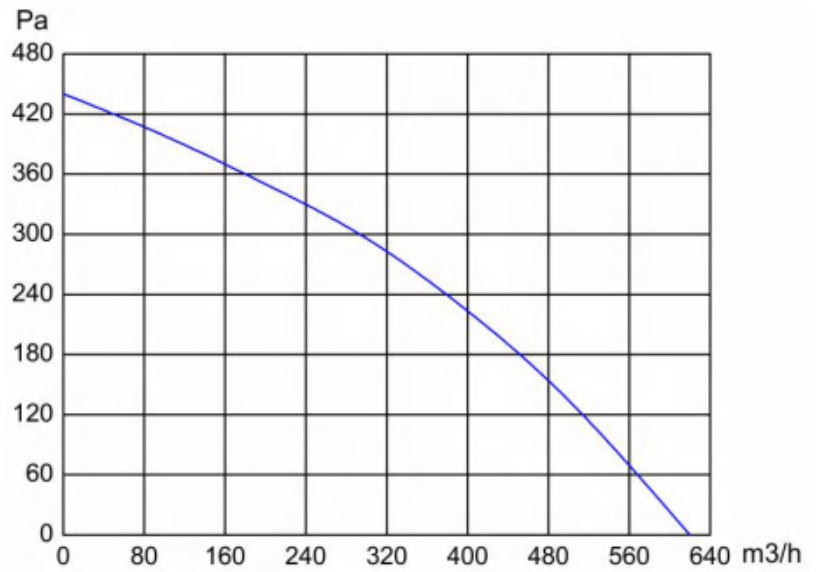
■ Technical Specification

Model	Bearing Type	Rated Voltage	Operating Voltage	Rated Current	Rated Power	Speed	Air Flow	Air Pressure	Noise
	B/S	V	V	A	W	RPM	m³/h	Pa	dBA
LWBD3G155-072NH-01	Ball	48	36~61	0.63	30	3000	350	280	63
LWBD3G155-072NM-01	Ball	24	16~28	1.25	30	3000	350	280	63



DC CENTRIFUGAL FAN

LWBD3G175-072


Motor Type : BLDC Motor

Impeller Material : Propylene with Glass-Fiber

Protection Class : IP44

Insulation Class : F

Certification : CE/ETL/CCC

Operation Temperature : - 25 °C ~ +60 °C

Bearing Type : Ball Bearing

Technical Feature :

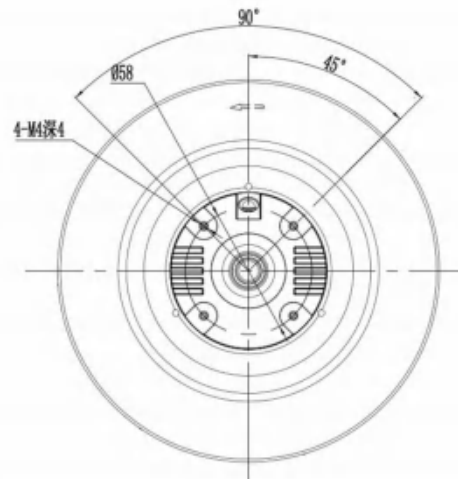
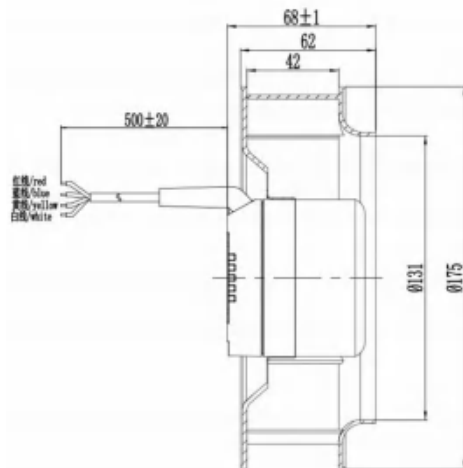
Control input 0~10VDC/PWM ,Tech output,Locked-Rotor protection ,

Reverse Polarity ,Over-voltage protection

Soft Start Protection,

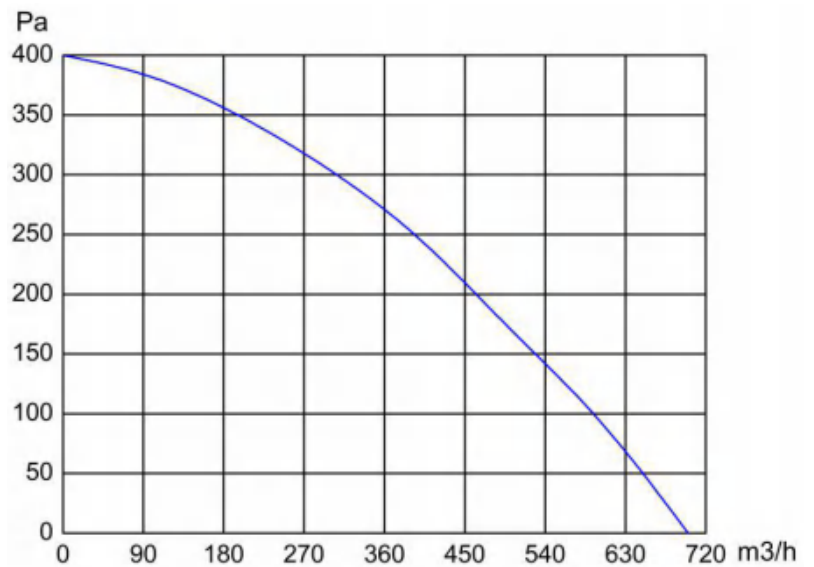
■ Technical Specification

Model	Bearing Type	Rated Voltage	Operating Voltage	Rated Current	Rated Power	Speed	Air Flow	Air Pressure	Noise
	B/S	V	V	A	W	RPM	m³/h	Pa	dBA
LWBD3G175-072NH-01	Ball	48	36~61	1.6	75	3900	620	440	72
LWBD3G175-072NM-01	Ball	24	16~28	3.1	75	3900	620	440	72



DC CENTRIFUGAL FAN

LWBD3G190-072


Motor Type : BLDC Motor

Impeller Material : Propylene with Glass-Fiber

Protection Class : IP44

Insulation Class : F

Certification : CE/ETL/CCC

Operation Temperature : - 25 °C ~ +60 °C

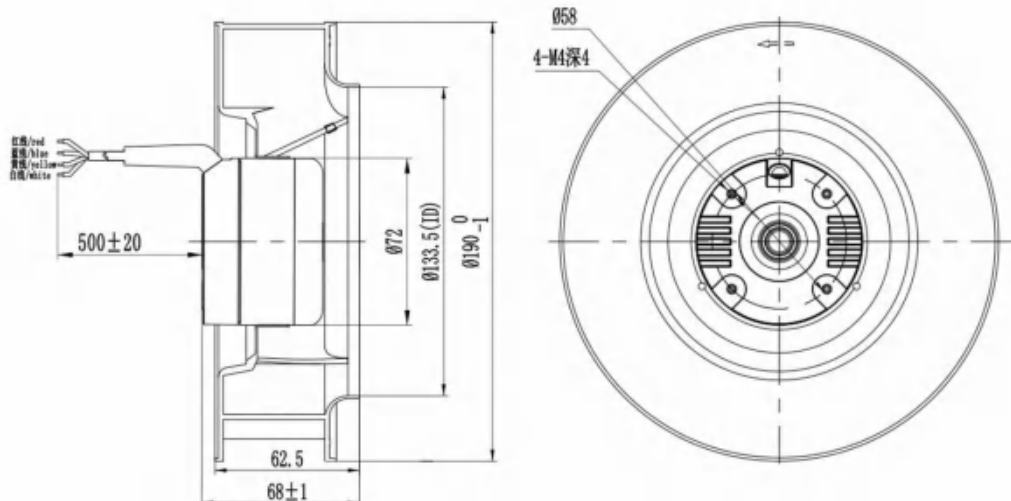
Bearing Type : Ball Bearing

Technical Feature :

 Control input 0~10VDC/PWM ,Tech output,Locked-Rotor protection ,
 Reverse Polarity ,Over-voltage protection
 Soft Start Protection,

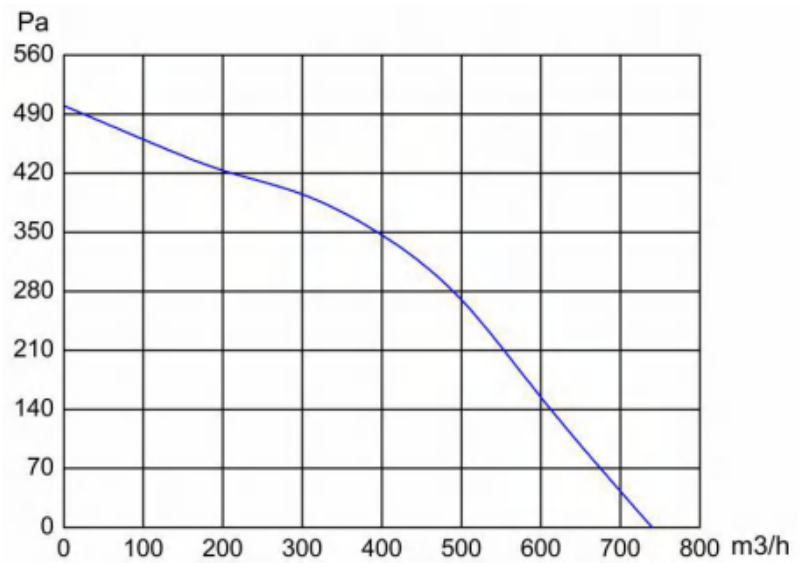
■ Technical Specification

Model	Bearing Type	Rated Voltage	Operating Voltage	Rated Current	Rated Power	Speed	Air Flow	Air Pressure	Noise
	B/S	V	V	A	W	RPM	m³/h	Pa	dBA
LWBD3G190-072NH-01	Ball	48	36~61	1.4	65	3100	650	380	71
LWBD3G190-072NM-01	Ball	24	16~28	2.6	65	3100	650	380	71



DC CENTRIFUGAL FAN

LWBD3G190-092


Motor Type : BLDC Motor

Impeller Material : Propylene with Glass-Fiber

Protection Class : IP44

Insulation Class : F

Certification : CE/ETL/CCC

Operation Temperature : - 25 °C ~ +60 °C

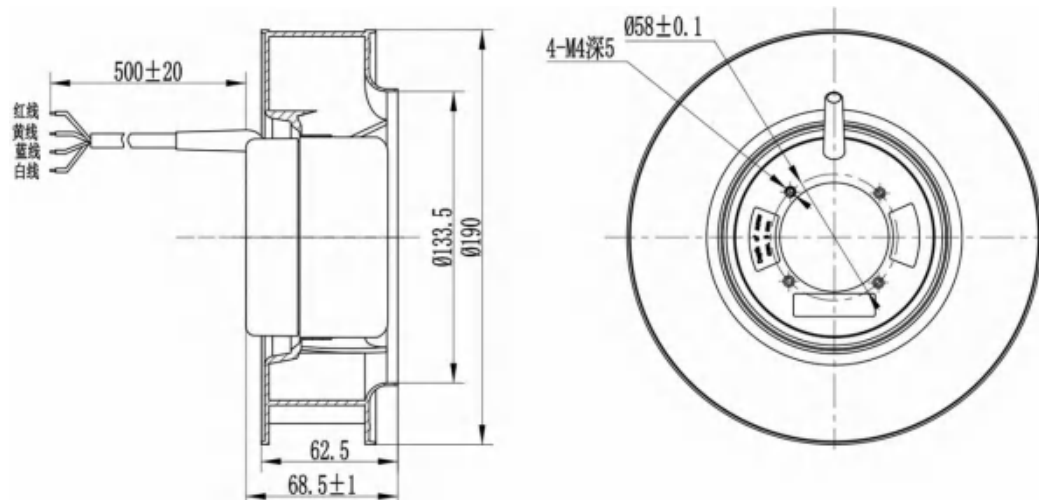
Bearing Type : Ball Bearing

Technical Feature :

 Control input 0~10VDC/PWM ,Tech output,Locked-Rotor protection ,
 Reverse Polarity ,Over-voltage protection
 Soft Start Protection,

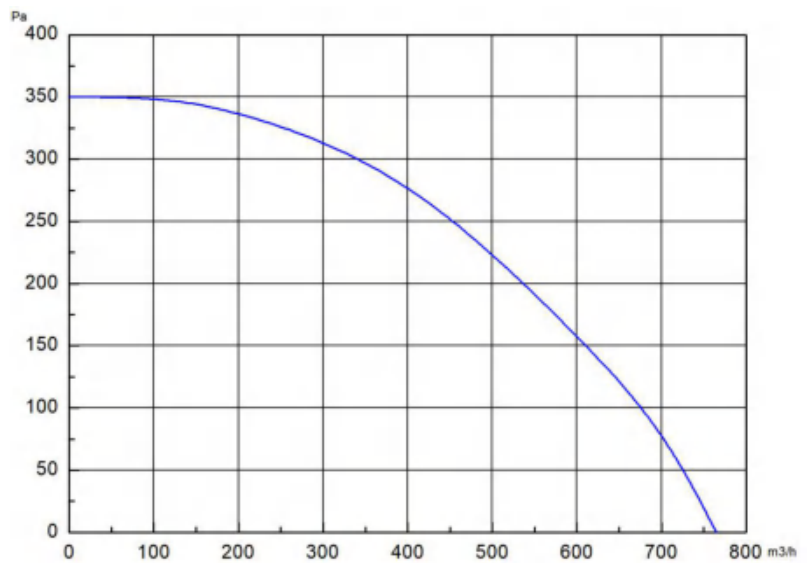
■ Technical Specification

Model	Bearing Type	Rated Voltage	Operating Voltage	Rated Current	Rated Power	Speed	Air Flow	Air Pressure	Noise
	B/S	V	V	A	W	RPM	m³/h	Pa	dBA
LWBD3G190-092NH-02	Ball	48	36~61	1.7	76	3200	726	480	70
LWBD3G190-092NM-02	Ball	24	16~28	3.3	76	3200	726	480	70



DC CENTRIFUGAL FAN

LWBD3G220-072


Motor Type : BLDC Motor

Impeller Material : Propylene with Glass-Fiber

Protection Class : IP44

Insulation Class : F

Certification : CE/ETL/CCC

Operation Temperature : - 25 °C ~ +60 °C

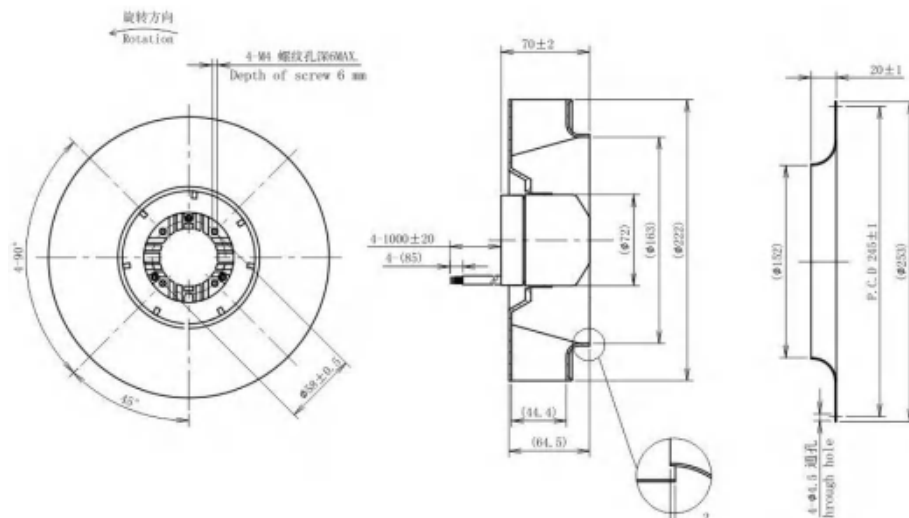
Bearing Type : Ball Bearing

Technical Feature :

 Control input 0~10VDC/PWM ,Tech output,Locked-Rotor protection ,
 Reverse Polarity ,Over-voltage protection
 Soft Start Protection,

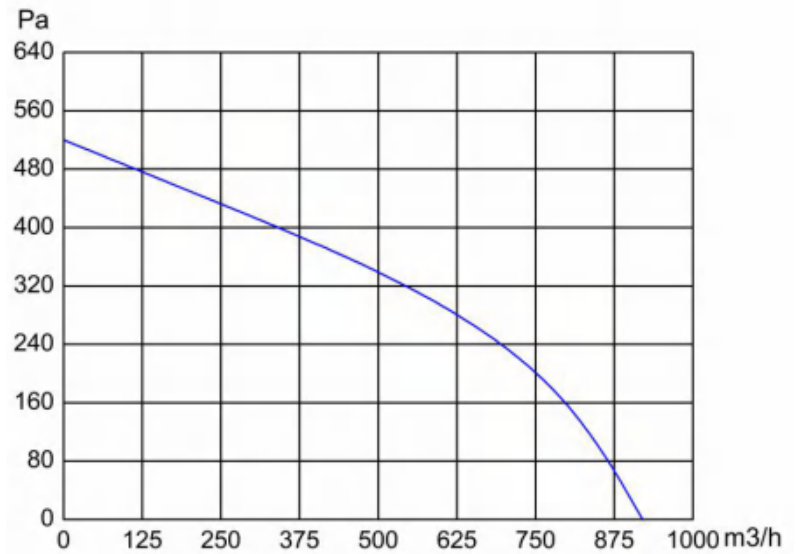
■ Technical Specification

Model	Bearing Type	Rated Voltage	Operating Voltage	Rated Current	Rated Power	Speed	Air Flow	Air Pressure	Noise
	B/S	V	V	A	W	RPM	m³/h	Pa	dBA
LWBD3G220-072NH-01	Ball	48	36~61	0.94	45	2300	760	350	65
LWBD3G220-072NM-01	Ball	24	16~28	1.88	45	2300	760	350	65



DC CENTRIFUGAL FAN

LWBD3G220-092


Motor Type : BLDC Motor

Impeller Material : Propylene with Glass-Fiber

Protection Class : IP44

Insulation Class : F

Certification : CE/ETL/CCC

Operation Temperature : - 25 °C ~ +60 °C

Bearing Type : Ball Bearing

Technical Feature :

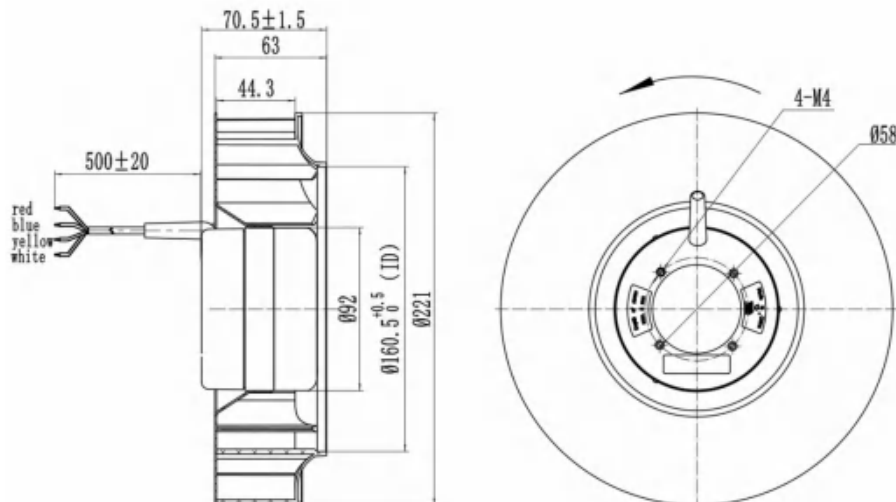
Control input 0~10VDC/PWM ,Tech output,Locked-Rotor protection ,

Reverse Polarity ,Over-voltage protection

Soft Start Protection,

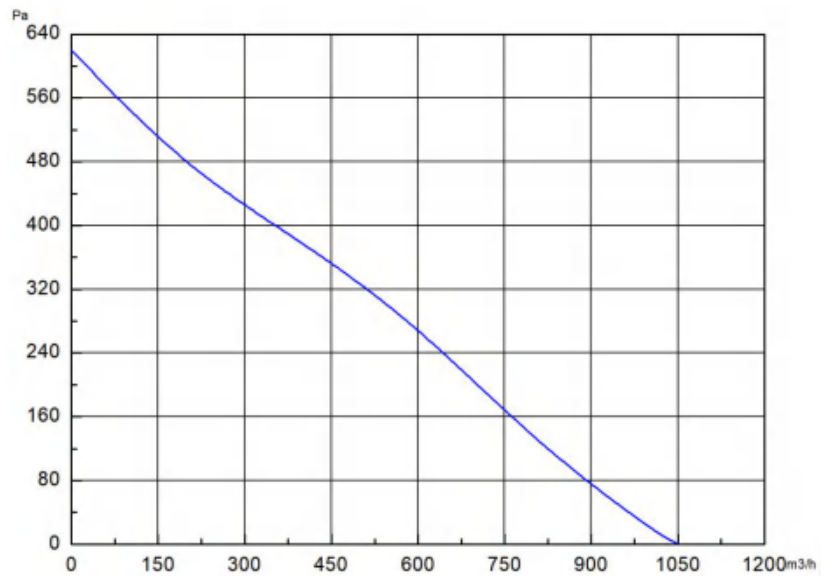
■ Technical Specification

Model	Bearing Type	Rated Voltage	Operating Voltage	Rated Current	Rated Power	Speed	Air Flow	Air Pressure	Noise
	B/S	V	V	A	W	RPM	m³/h	Pa	dB(A)
LWBD3G220-092NH-02	Ball	48	36~61	2.1	100	3100	910	520	73
LWBD3G220-092NM-02	Ball	24	16~28	4.2	100	3100	910	520	73



DC CENTRIFUGAL FAN

LWBD3G225-092


Motor Type : BLDC Motor

Impeller Material : Propylene with Glass-Fiber

Protection Class : IP44

Insulation Class : F

Certification : CE/ETL/CCC

Operation Temperature : - 25 °C ~ +60 °C

Bearing Type : Ball Bearing

Technical Feature :

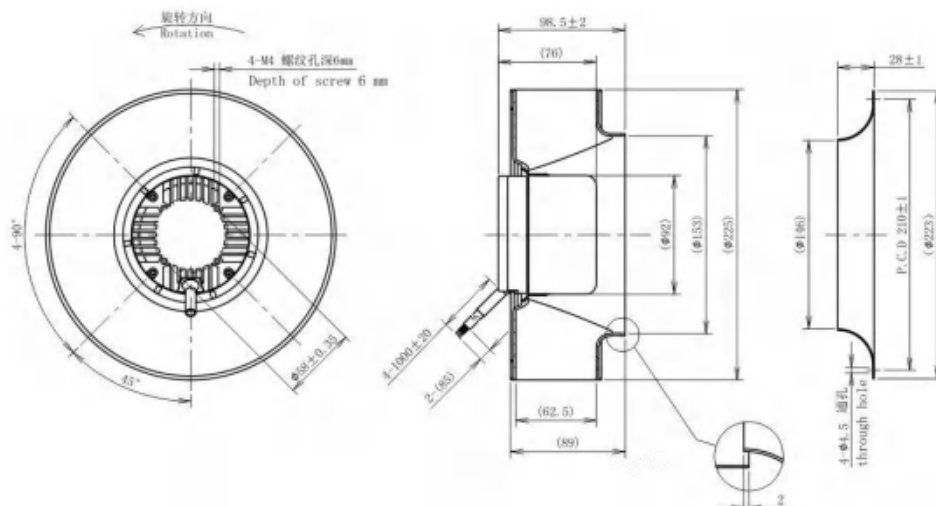
Control input 0~10VDC/PWM ,Tech output,Locked-Rotor protection ,

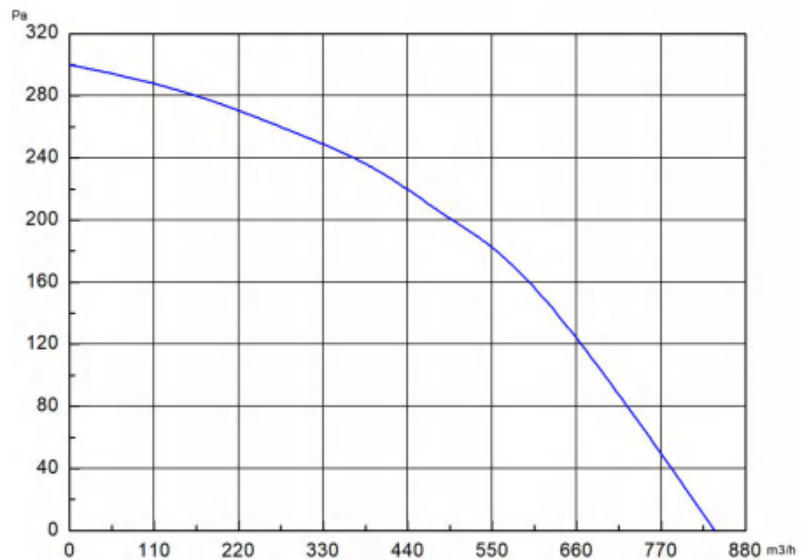
Reverse Polarity ,Over-voltage protection

Soft Start Protection,

■ Technical Specification

Model	Bearing Type	Rated Voltage	Operating Voltage	Rated Current	Rated Power	Speed	Air Flow	Air Pressure	Noise
	B/S	V	V	A	W	RPM	m³/h	Pa	dBA
LWBD3G225-092NH-03	Ball	48	36~61	2.09	100	2700	1050	620	67
LWBD3G225-092NM-03	Ball	24	16~28	4.18	100	2700	1050	620	67





Motor Type : BLDC Motor

Impeller Material : Propylene with Glass-Fiber

Protection Class : IP44

Insulation Class : F

Certification : CE/ETL/CCC

Operation Temperature : - 25 °C ~ +60 °C

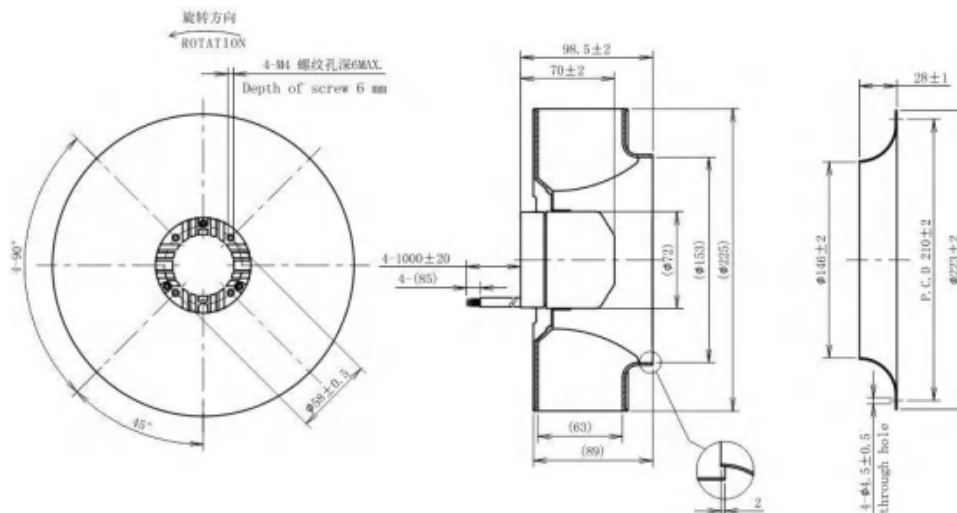
Bearing Type : Ball Bearing

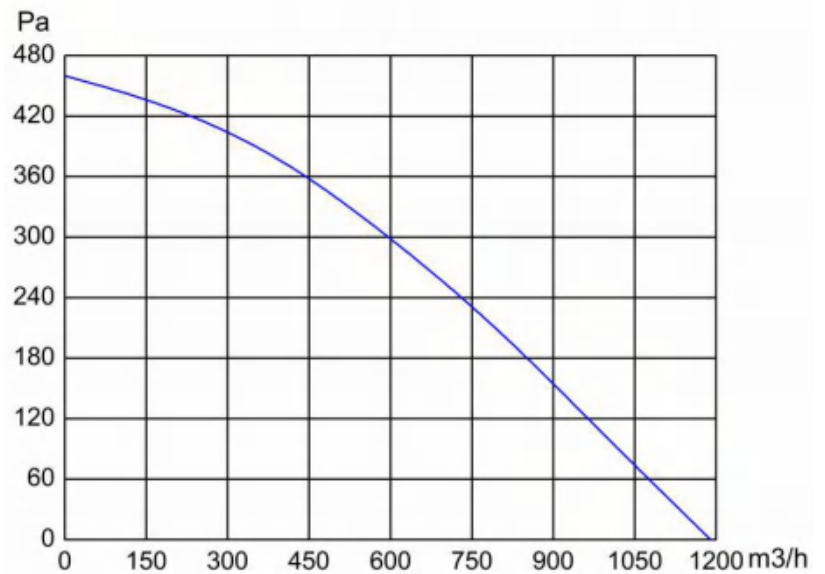
Technical Feature :

Control input 0~10VDC/PWM ,Tech output,Locked-Rotor protection ,
 Reverse Polarity ,Over-voltage protection
 Soft Start Protection,

■ Technical Specification

Model	Bearing Type	Rated Voltage	Operating Voltage	Rated Current	Rated Power	Speed	Air Flow	Air Pressure	Noise
	B/S	V	V	A	W	RPM	m³/h	Pa	dBA
LWBD3G225-072NH-01	Ball	48	36~61	0.94	45	2000	830	300	63
LWBD3G225-072NM-01	Ball	24	16~28	1.88	45	2000	830	300	63





Motor Type : BLDC Motor

Impeller Material : Propylene with Glass-Fiber

Protection Class : IP44

Insulation Class : F

Certification : CE/ETL/CCC

Operation Temperature : - 25 °C ~ +60 °C

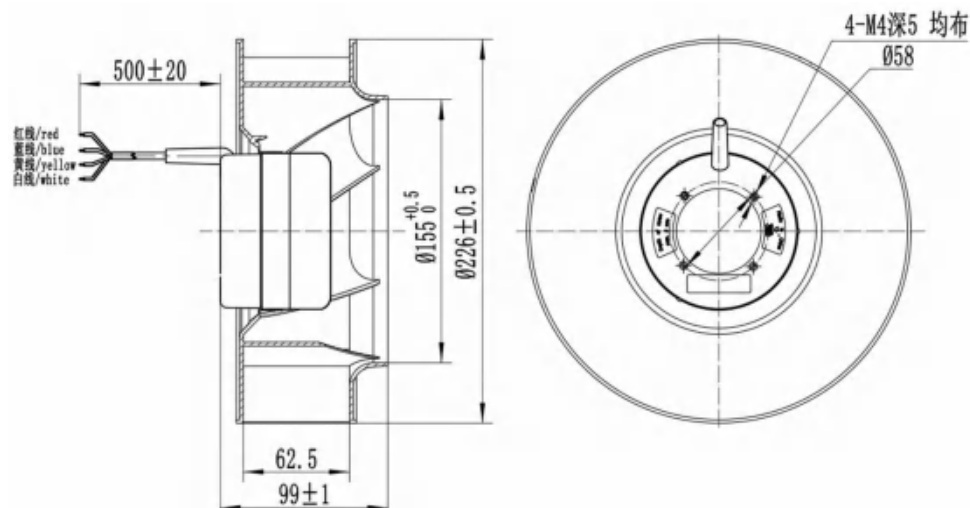
Bearing Type : Ball Bearing

Technical Feature :

Control input 0~10VDC/PWM ,Tech output,Locked-Rotor protection ,
 Reverse Polarity ,Over-voltage protection
 Soft Start Protection,

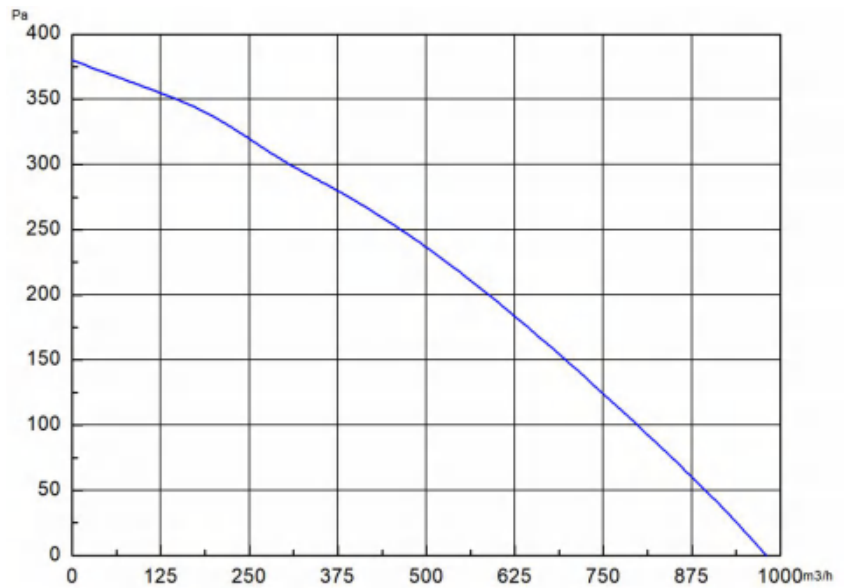
■ Technical Specification

Model	Bearing Type	Rated Voltage	Operating Voltage	Rated Current	Rated Power	Speed	Air Flow	Air Pressure	Noise
	B/S	V	V	A	W	RPM	m³/h	Pa	dBA
LWBD3G225-092NH-02	Ball	48	36~61	2.1	100	2700	1180	450	70
LWBD3G225-092NM-02	Ball	24	16~28	4.2	100	2700	1180	450	70



DC CENTRIFUGAL FAN

LWBD3G250-072


Motor Type : BLDC Motor

Impeller Material : Propylene with Glass-Fiber

Protection Class : IP44

Insulation Class : F

Certification : CE/ETL/CCC

Operation Temperature : - 25 °C ~ +60 °C

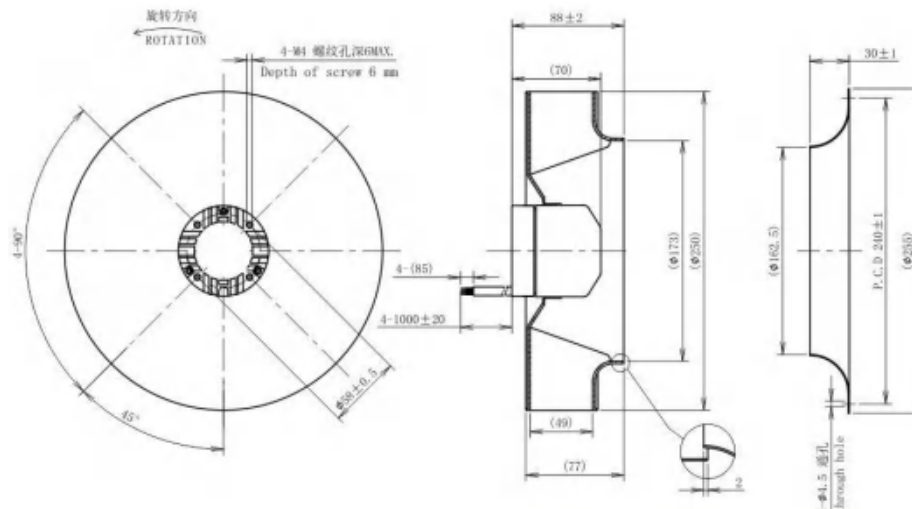
Bearing Type : Ball Bearing

Technical Feature :

 Control input 0~10VDC/PWM ,Tech output,Locked-Rotor protection ,
 Reverse Polarity ,Over-voltage protection
 Soft Start Protection,

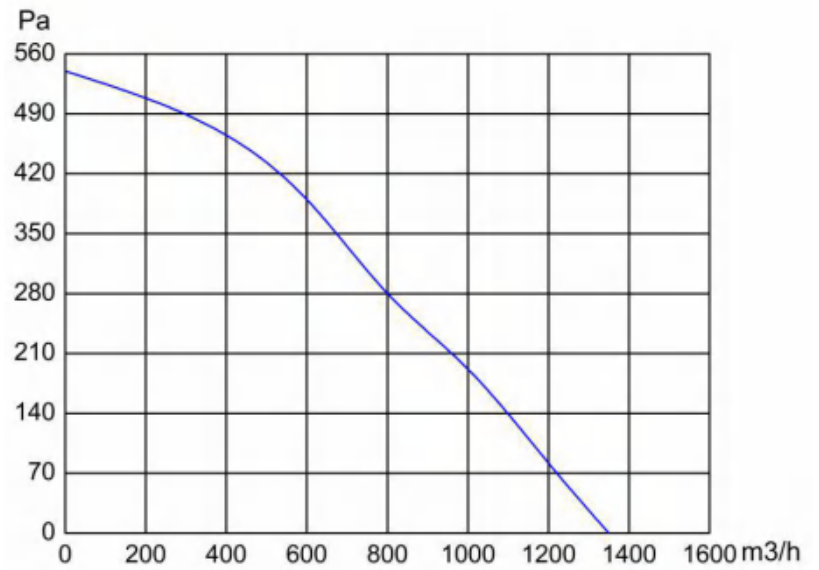
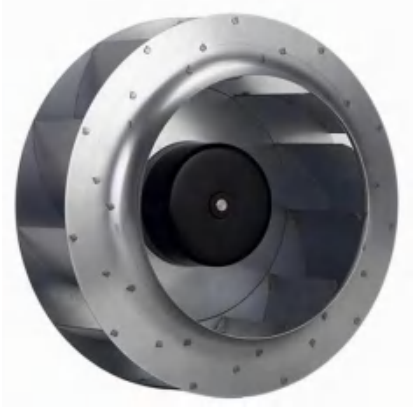
■ Technical Specification

Model	Bearing Type	Rated Voltage	Operating Voltage	Rated Current	Rated Power	Speed	Air Flow	Air Pressure	Noise
	B/S	V	V	A	W	RPM	m³/h	Pa	dB(A)
LWBD3G250-072NH-01	Ball	48	36~61	1.25	60	2250	990	360	67
LWBD3G250-072NM-01	Ball	24	16~28	2.5	60	2250	990	360	67



DC CENTRIFUGAL FAN

LWBD3G250-092


Motor Type : BLDC Motor

Impeller Material : Galvanized Metal

Protection Class : IP44

Insulation Class : F

Certification : CE/ETL/CCC

Operation Temperature : - 25 °C ~ +60 °C

Bearing Type : Ball Bearing

Technical Feature :

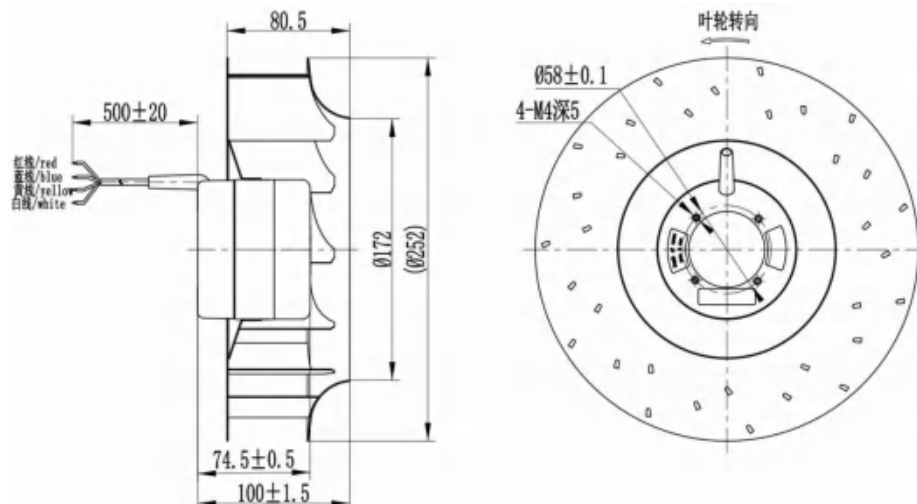
Control input 0~10VDC/PWM ,Tech output,Locked-Rotor protection ,

Reverse Polarity ,Over-voltage protection

Soft Start Protection,

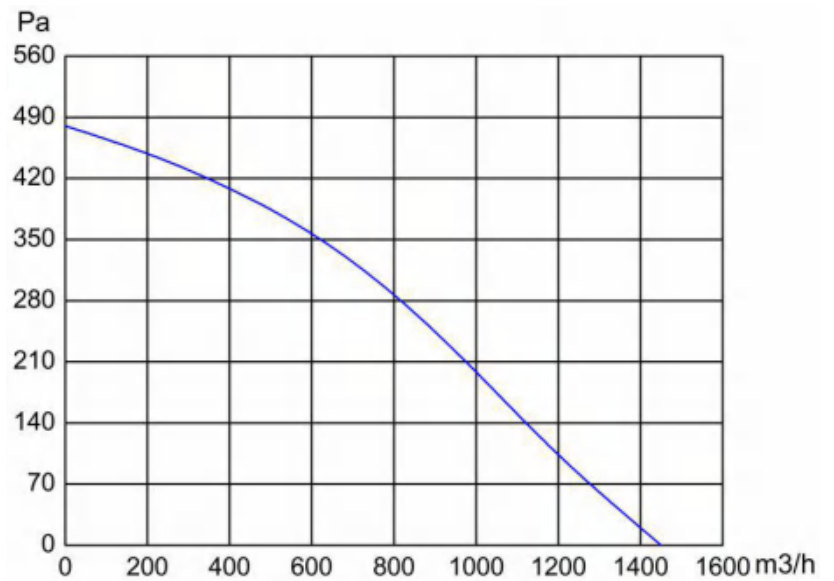
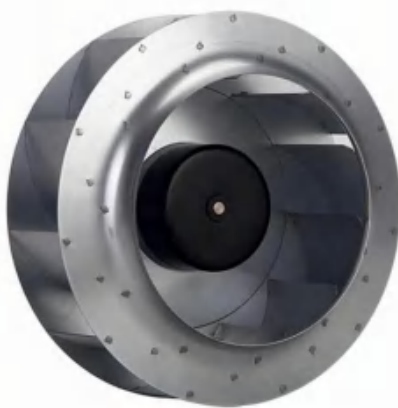
■ Technical Specification

Model	Bearing Type	Rated Voltage	Operating Voltage	Rated Current	Rated Power	Speed	Air Flow	Air Pressure	Noise
	B/S	V	V	A	W	RPM	m³/h	Pa	dBA
LWBD3G250-092NH-03	Ball	48	36~61	2.5	120	2500	1300	530	69
LWBD3G250-092NM-03	Ball	24	16~28	5	120	2500	1300	530	69



DC CENTRIFUGAL FAN

LWBD3G280-092


Motor Type : BLDC Motor

Impeller Material : Galvanized Metal

Protection Class : IP44

Insulation Class : F

Certification : CE/ETL/CCC

Operation Temperature : - 25 °C ~ +60 °C

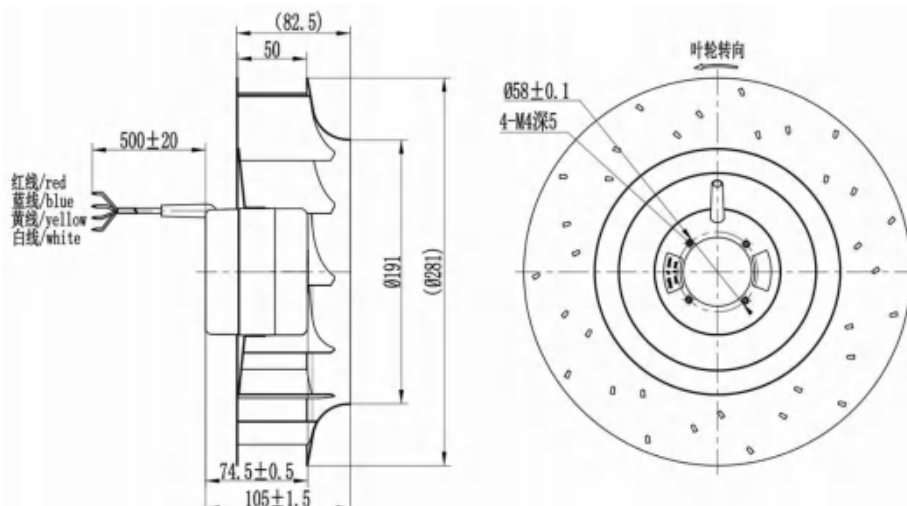
Bearing Type : Ball Bearing

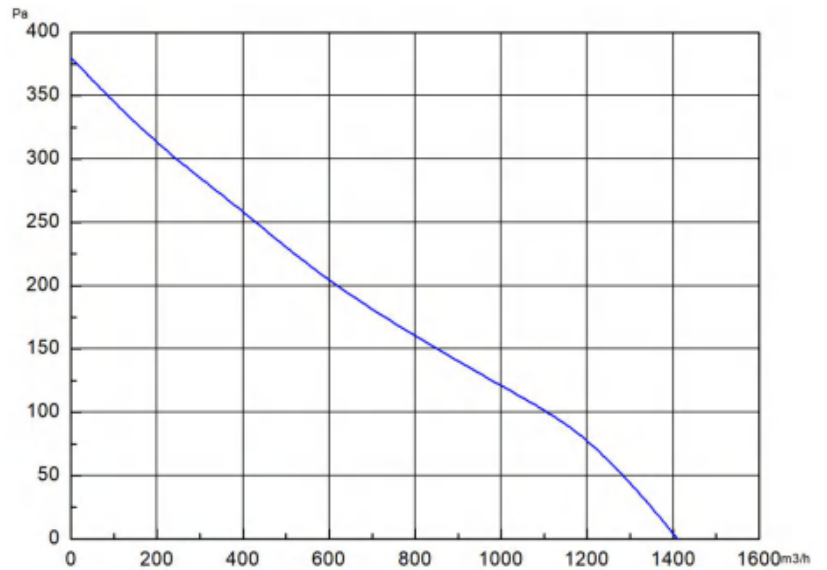
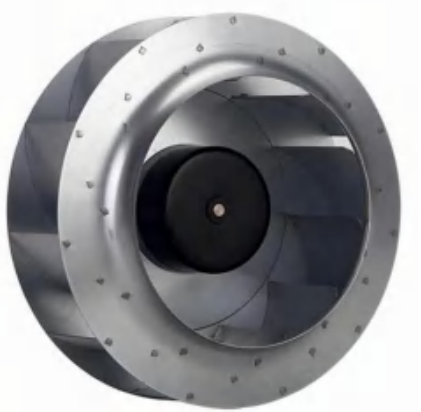
Technical Feature :

 Control input 0~10VDC/PWM ,Tech output,Locked-Rotor protection ,
 Reverse Polarity ,Over-voltage protection
 Soft Start Protection,

■ Technical Specification

Model	Bearing Type	Rated Voltage	Operating Voltage	Rated Current	Rated Power	Speed	Air Flow	Air Pressure	Noise
	B/S	V	V	A	W	RPM	m³/h	Pa	dBA
LWBD3G280-092NH-01	Ball	48	36~61	2.3	105	2200	1400	470	70
LWBD3G280-092NM-01	Ball	24	16~28	4.6	105	2200	1400	470	70





Motor Type : BLDC Motor

Impeller Material : Galvanized Metal

Protection Class : IP44

Insulation Class : F

Certification : CE/ETL/CCC

Operation Temperature : - 25 °C ~ +60 °C

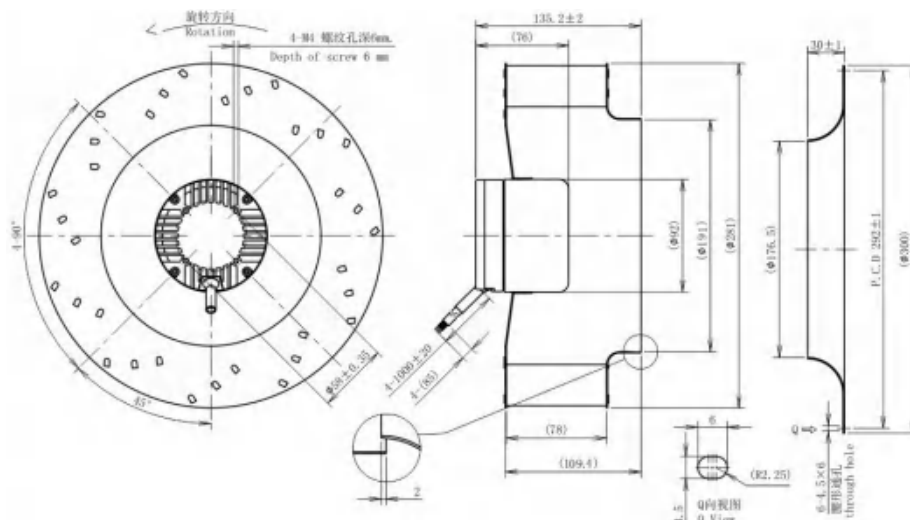
Bearing Type : Ball Bearing

Technical Feature :

Control input 0~10VDC/PWM ,Tech output,Locked-Rotor protection ,
 Reverse Polarity ,Over-voltage protection
 Soft Start Protection,

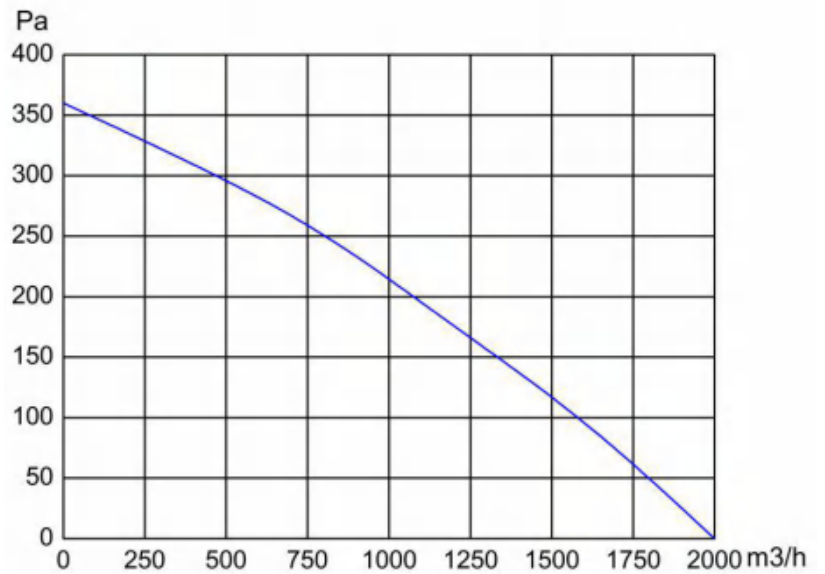
■ Technical Specification

Model	Bearing Type	Rated Voltage	Operating Voltage	Rated Current	Rated Power	Speed	Air Flow	Air Pressure	Noise
	B/S	V	V	A	W	RPM	m³/h	Pa	dB(A)
LWBD3G280-092NH-02	Ball	48	36~61	2	95	1710	1410	360	71
LWBD3G280-092NM-02	Ball	24	16~28	4	95	1710	1410	360	71



DC CENTRIFUGAL FAN

LWBD3G315-092


Motor Type : BLDC Motor

Impeller Material : Aluminum Alloy

Protection Class : IP44

Insulation Class : F

Certification : CE/ETL/CCC

Operation Temperature : - 25 °C ~ +60 °C

Bearing Type : Ball Bearing

Technical Feature :

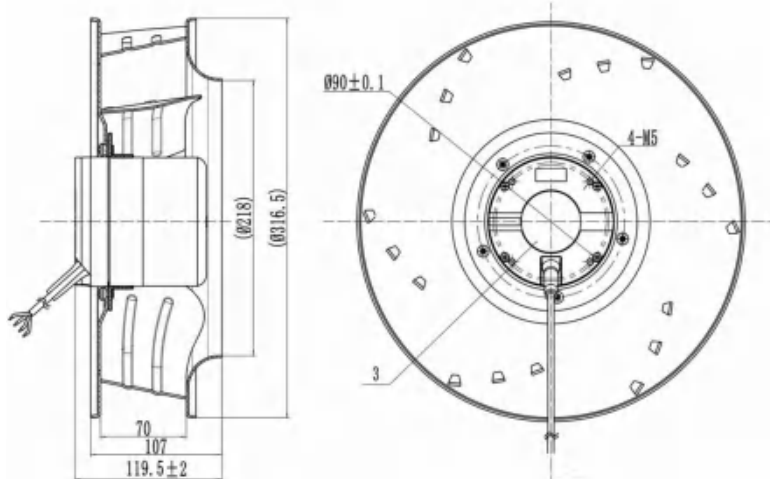
Control input 0~10VDC/PWM ,Tech output,Locked-Rotor protection ,

Reverse Polarity ,Over-voltage protection

Soft Start Protection,

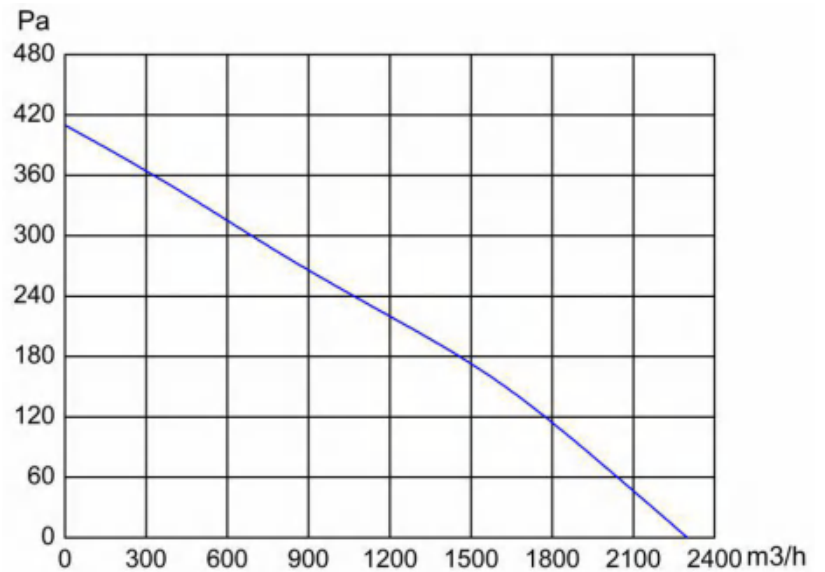
■ Technical Specification

Model	Bearing Type	Rated Voltage	Operating Voltage	Rated Current	Rated Power	Speed	Air Flow	Air Pressure	Noise
	B/S	V	V	A	W	RPM	m³/h	Pa	dBA
LWBD3G315-092NH-02	Ball	48	36~61	2.2	105	1600	1900	360	65
LWBD3G315-092NM-02	Ball	24	16~28	4.5	105	1600	1900	360	65



DC CENTRIFUGAL FAN

LWBD3G315-092


Motor Type : BLDC Motor

Impeller Material : Aluminum Alloy

Protection Class : IP44

Insulation Class : F

Certification : CE/ETL/CCC

Operation Temperature : - 25 °C ~ +60 °C

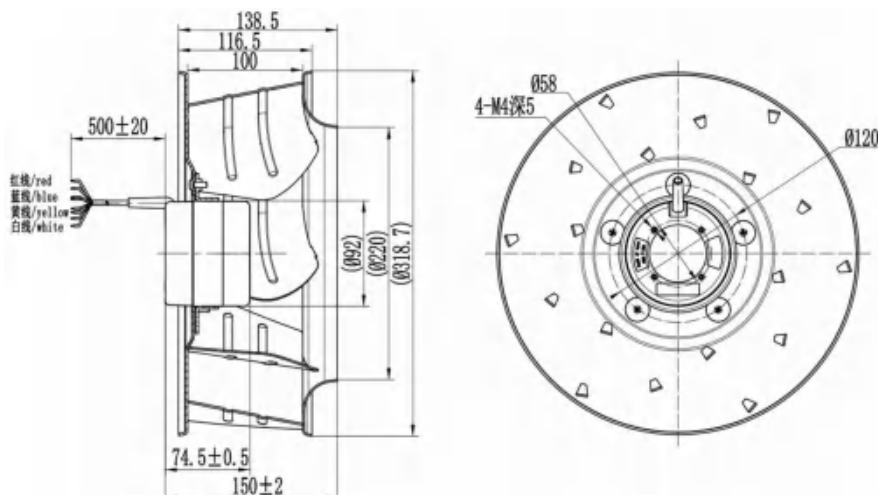
Bearing Type : Ball Bearing

Technical Feature :

 Control input 0~10VDC/PWM ,Tech output,Locked-Rotor protection ,
 Reverse Polarity ,Over-voltage protection
 Soft Start Protection,

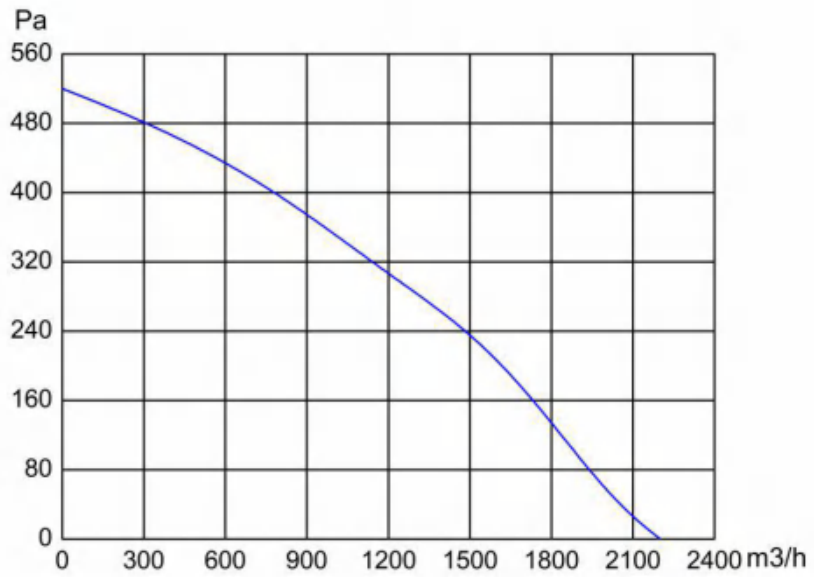
■ Technical Specification

Model	Bearing Type	Rated Voltage	Operating Voltage	Rated Current	Rated Power	Speed	Air Flow	Air Pressure	Noise
	B/S	V	V	A	W	RPM	m³/h	Pa	dBA
LWBD3G315-092NM-03	Ball	48	36~61	2.5	120	1600	2200	400	69
LWBD3G315-092NH-03	Ball	24	16~28	5	120	1600	2200	400	69



DC CENTRIFUGAL FAN

LWBD3G315-102


Motor Type : BLDC Motor

Impeller Material : Aluminum Alloy

Protection Class : IP44

Insulation Class : F

Certification : CE/ETL/CCC

Operation Temperature : - 25 °C ~ +60 °C

Bearing Type : Ball Bearing

Technical Feature :

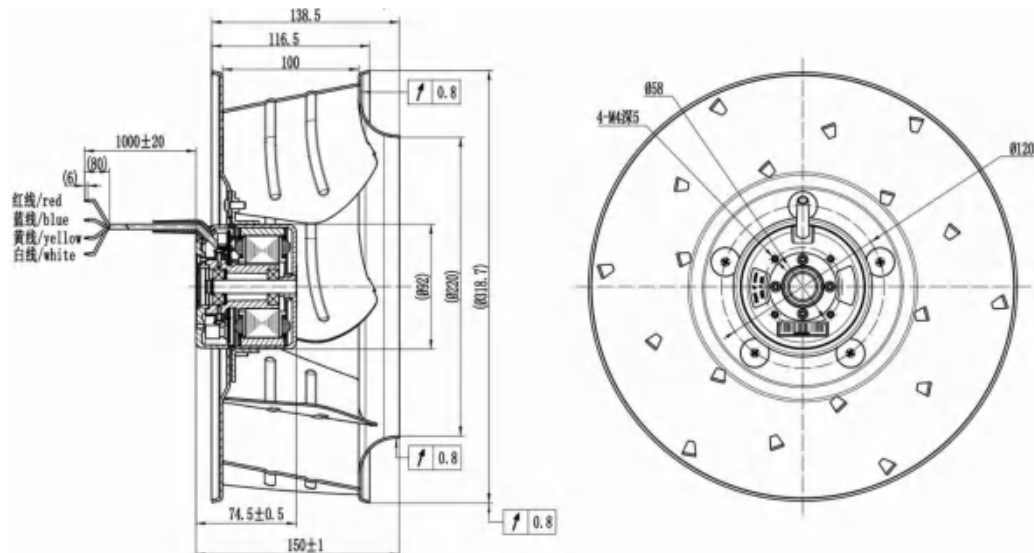
Control input 0~10VDC/PWM ,Tech output,Locked-Rotor protection ,

Reverse Polarity ,Over-voltage protection

Soft Start Protection,

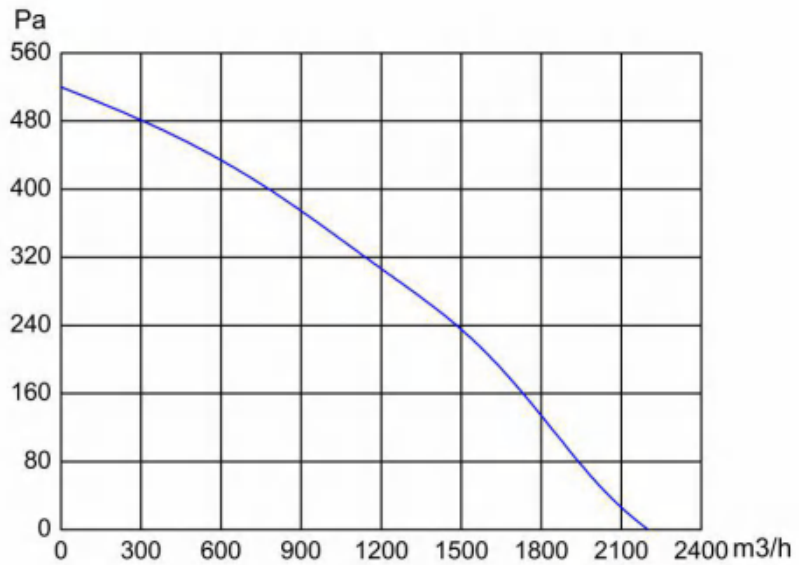
■ Technical Specification

Model	Bearing Type	Rated Voltage	Operating Voltage	Rated Current	Rated Power	Speed	Air Flow	Air Pressure	Noise
	B/S	V	V	A	W	RPM	m³/h	Pa	dBA
LWBD3G315-102NH-04	Ball	48	36~61	4	192	1900	2100	510	72



DC CENTRIFUGAL FAN

LWBD3G315-102


Motor Type : BLDC Motor

Impeller Material : Aluminum Alloy

Protection Class : IP44

Insulation Class : F

Certification : CE/ETL/CCC

Operation Temperature : - 25 °C ~ +60 °C

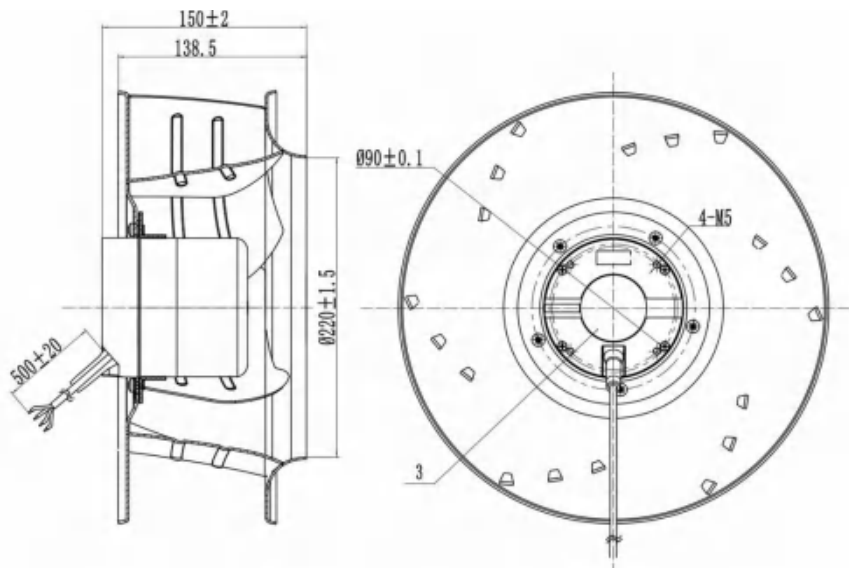
Bearing Type : Ball Bearing

Technical Feature :

 Control input 0~10VDC/PWM ,Tech output,Locked-Rotor protection ,
 Reverse Polarity ,Over-voltage protection
 Soft Start Protection,

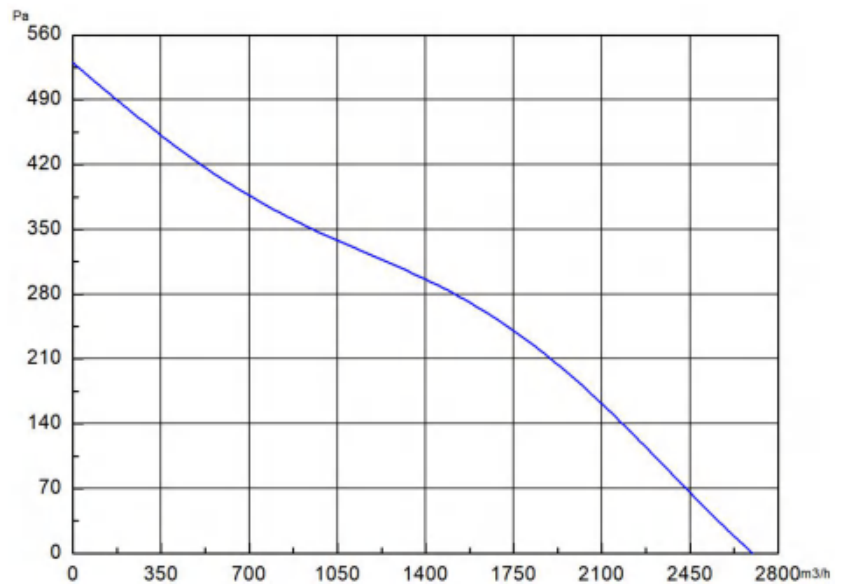
■ Technical Specification

Model	Bearing Type	Rated Voltage	Operating Voltage	Rated Current	Rated Power	Speed	Air Flow	Air Pressure	Noise
	B/S	V	V	A	W	RPM	m³/h	Pa	dB(A)
LWBD3G315-102NH-05	Ball	48	36~61	4.8	230	1930	2400	500	75



DC CENTRIFUGAL FAN

LWBD3G355-102


Motor Type : BLDC Motor

Impeller Material : Aluminum Alloy

Protection Class : IP44

Insulation Class : F

Certification : CE/ETL/CCC

Operation Temperature : - 25 °C ~ +60 °C

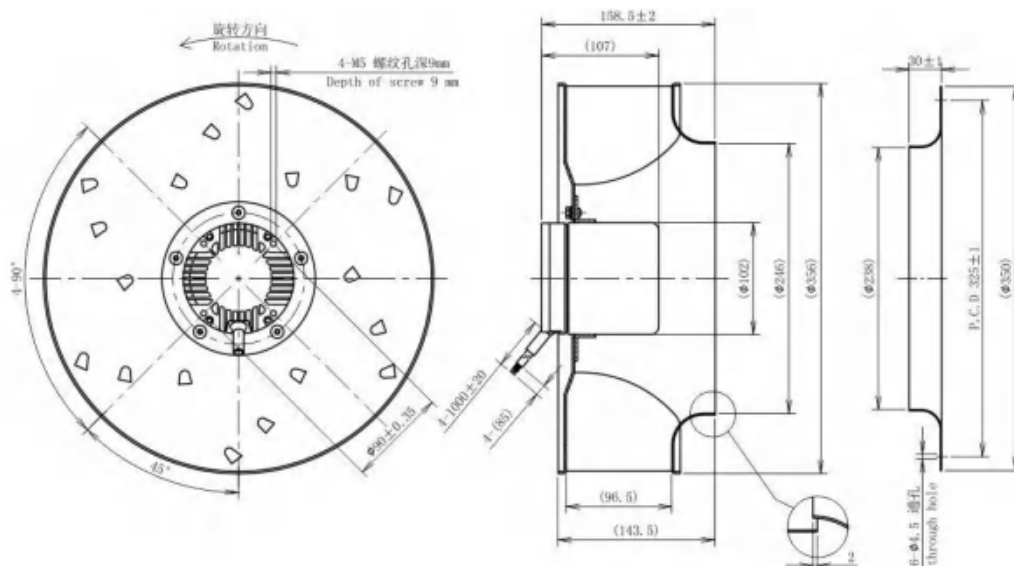
Bearing Type : Ball Bearing

Technical Feature :

 Control input 0~10VDC/PWM ,Tech output,Locked-Rotor protection ,
 Reverse Polarity ,Over-voltage protection
 Soft Start Protection,

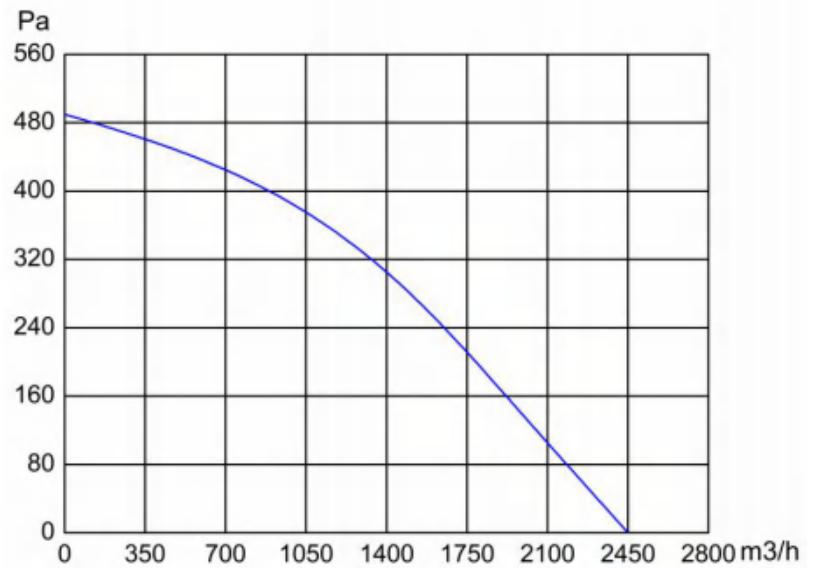
■ Technical Specification

Model	Bearing Type	Rated Voltage	Operating Voltage	Rated Current	Rated Power	Speed	Air Flow	Air Pressure	Noise
	B/S	V	V	A	W	RPM	m³/h	Pa	dB(A)
LWBD3G355-102NH-01	Ball	48	36~61	3.5	175	1560	2700	530	69



DC CENTRIFUGAL FAN

LWBD3G355-102


Motor Type : BLDC Motor

Impeller Material : Aluminum Alloy

Protection Class : IP44

Insulation Class : F

Certification : CE/ETL/CCC

Operation Temperature : - 25 °C ~ +60 °C

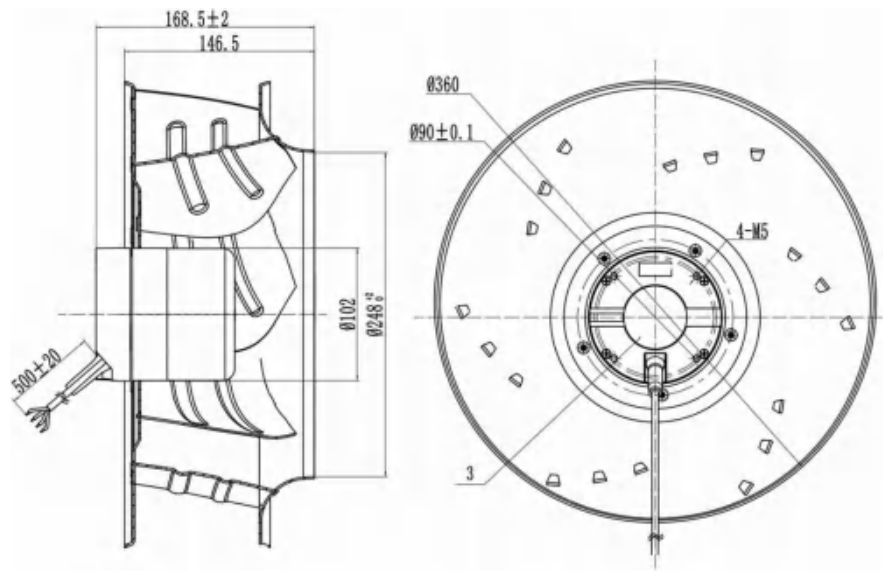
Bearing Type : Ball Bearing

Technical Feature :

 Control input 0~10VDC/PWM ,Tech output,Locked-Rotor protection ,
 Reverse Polarity ,Over-voltage protection
 Soft Start Protection,

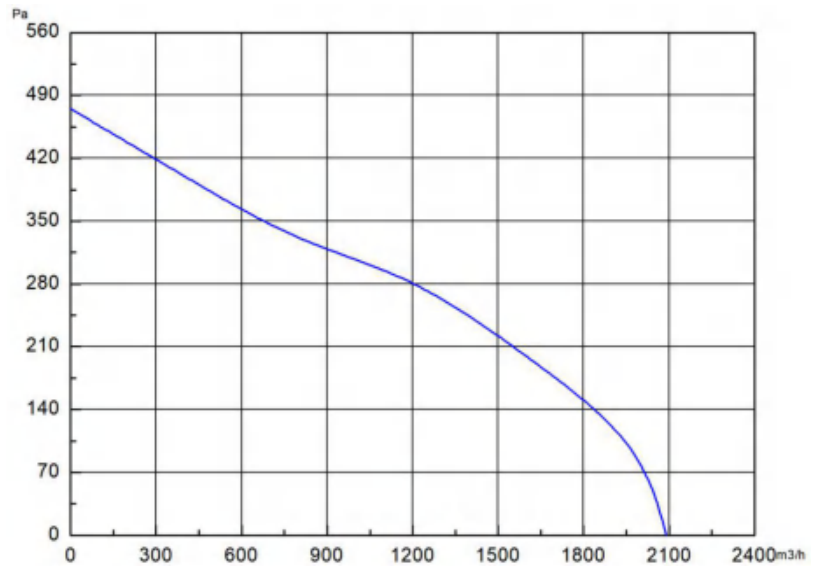
■ Technical Specification

Model	Bearing Type	Rated Voltage	Operating Voltage	Rated Current	Rated Power	Speed	Air Flow	Air Pressure	Noise
	B/S	V	V	A	W	RPM	m³/h	Pa	dB(A)
LWBD3G355-102NH-02	Ball	48	36~61	4	190	1600	2450	485	73



DC CENTRIFUGAL FAN

LWBD3G355-102


Motor Type : BLDC Motor

Impeller Material : Aluminum Alloy

Protection Class : IP44

Insulation Class : F

Certification : CE/ETL/CCC

Operation Temperature : - 25 °C ~ +60 °C

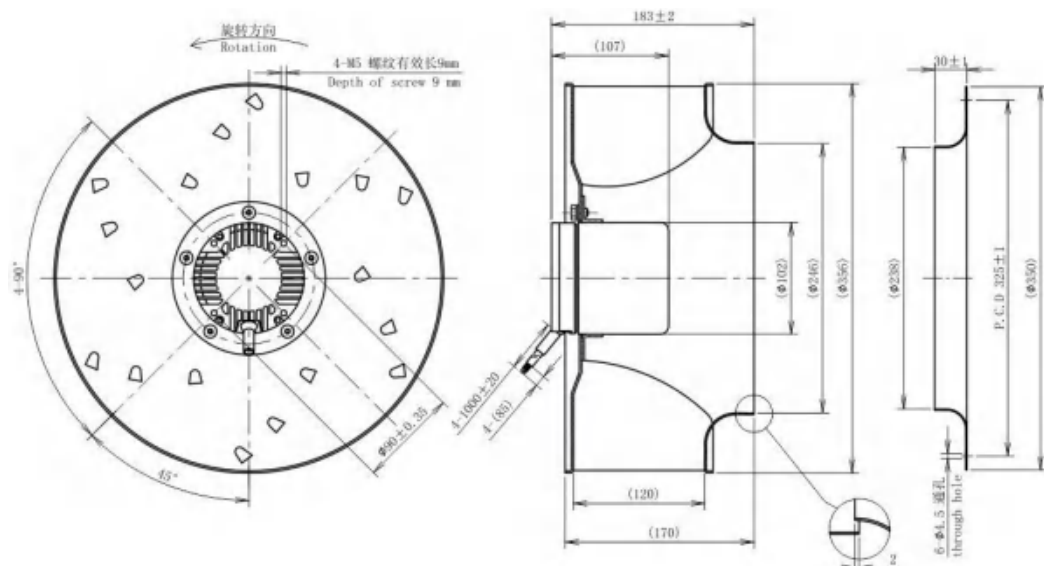
Bearing Type : Ball Bearing

Technical Feature :

 Control input 0~10VDC/PWM ,Tech output,Locked-Rotor protection ,
 Reverse Polarity ,Over-voltage protection
 Soft Start Protection,

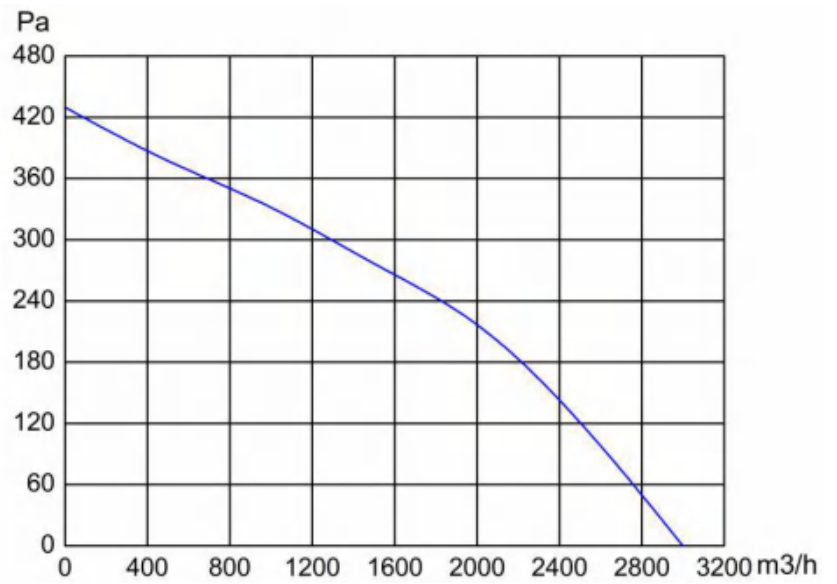
■ Technical Specification

Model	Bearing Type	Rated Voltage	Operating Voltage	Rated Current	Rated Power	Speed	Air Flow	Air Pressure	Noise
	B/S	V	V	A	W	RPM	m³/h	Pa	dB(A)
LWBD3G355-102NH-03	Ball	48	36~61	3.5	165	1410	2100	470	66



DC CENTRIFUGAL FAN

LWBD3G400-102


Motor Type : BLDC Motor

Impeller Material : Aluminum Alloy

Protection Class : IP44

Insulation Class : F

Certification : CE/ETL/CCC

Operation Temperature : - 25 °C ~ +60 °C

Bearing Type : Ball Bearing

Technical Feature :

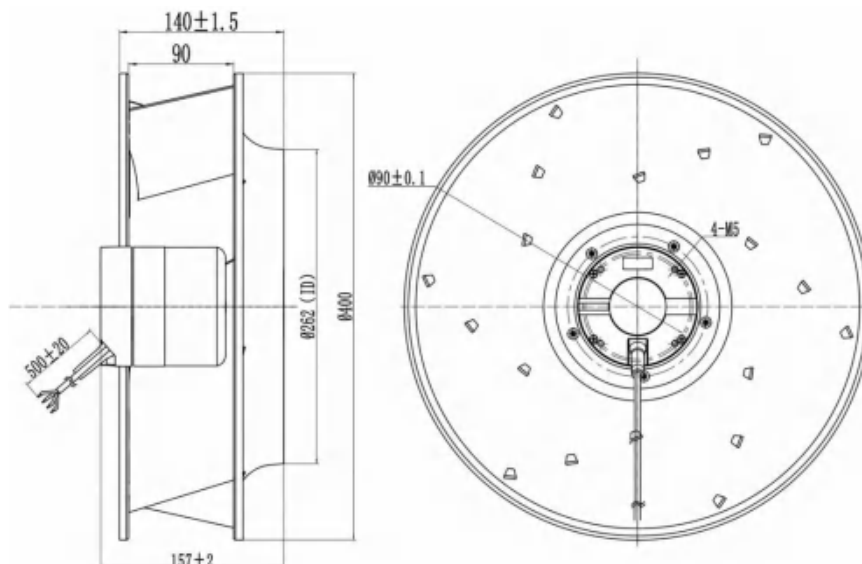
Control input 0~10VDC/PWM ,Tech output,Locked-Rotor protection ,

Reverse Polarity ,Over-voltage protection

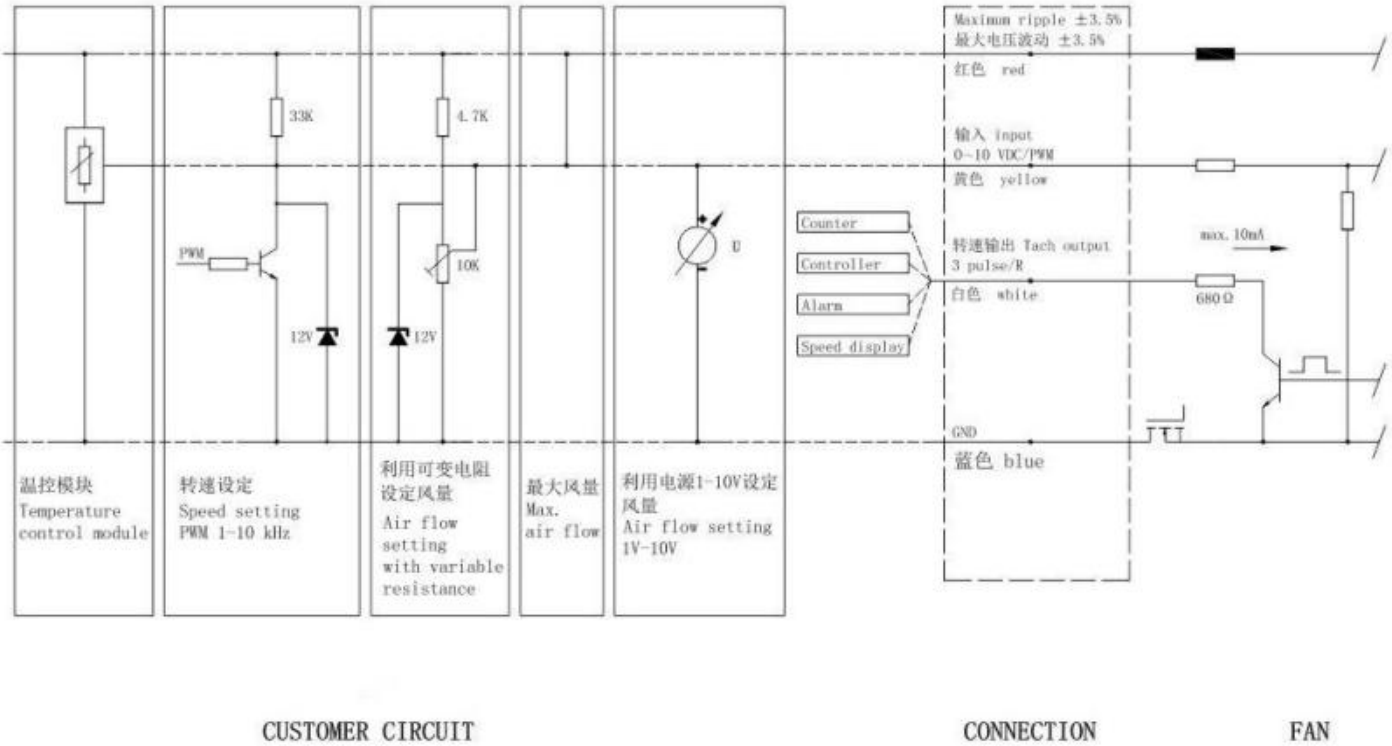
Soft Start Protection,

■ Technical Specification

Model	Bearing Type	Rated Voltage	Operating Voltage	Rated Current	Rated Power	Speed	Air Flow	Air Pressure	Noise
	B/S	V	V	A	W	RPM	m³/h	Pa	dBA
LWBD3G400-102NH-01	Ball	48	36~61	3.8	180	1260	3000	420	73



■ Wiring Diagram Details



Connection	Wire Color	Details
+	Red	Maximum Ripple $\pm 3.5\%$
GND	Blue	GND
0~10V/ PWM	Yellow	Speed Control Wire
Tach Output	White	Tach output wire 3 Pulse/R